



TKFAN®

UL US CE RoHS

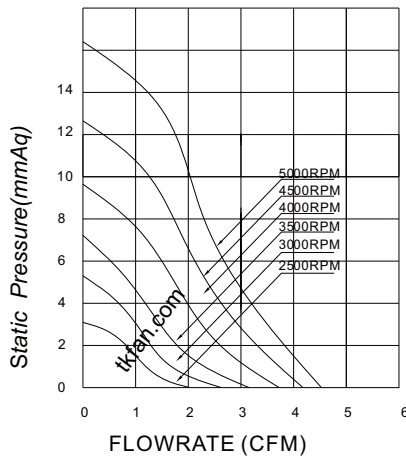
DC Brushless Blower 60x60x15mm-A Type

版次Version 2017-4-12

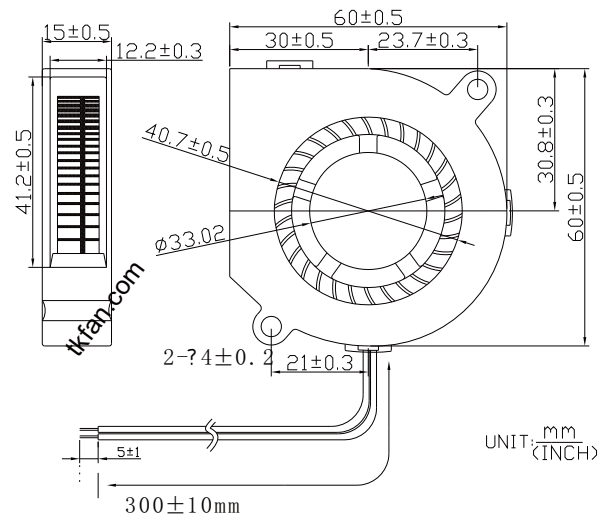
轴承结构：滚珠、含油、液压
 Bearing: Two ball、sleeve、HY
 框外材质: 塑胶(等级:UL94V-0)
 Frame:Plastic(Flammability:UL94V-0)
 扇叶材质:塑胶:(等级:UL94V-0)
 Impeller:Plastic:(Flammability:UL94V-0)
 风扇单重:64g(Weight:66g)



P@Q CURVE(AT RATEDVOLTAGE)



DIMENSIONS DRAWING(unit:mm)



编码规则 Code Rule

例子 Example DCH12038H12B-DCH1701
 DCH12038H12X-AY

Model No. is DCH12038H12X; Extro P/N code is AY
 X means bearing type, can be S(sleeve bearing), can be B(ball bearing), can be Y(HY bearing), can be SU(sleeve with UL), can be BU(ball with UL), can be YU(HY with UL)
 Y means special function code, it will be used for a certain parts no. or client.
 产品型号 DCH12038H12X;附加代码 AY. X是一个不确定值,它代表了不同的轴承类型,
 S(含油轴承),B(滚珠轴承),Y(液压轴承),SU(含油轴承带UL),BU(滚珠轴承带UL),YU(液压轴承带UL)
 Y是一个不确定的值,它代表不同特殊风机功能,由具体客户或者料号来确定

Model	P/N Code	Rated Voltage	Operating Voltage Range	Rated Current	Rated Input Power	Speed	Maximum Air Flow		Maximum Air Pressure		Noise
型号	P/N 附加码	额定电压	工作电压范围	额定电流	额定输入功率	转速	最大风量		最大风压		噪音
PART.NO.	AY	VDC	VDC	Amp	Watt	R.P.M	M³/min	CFM	mmH2O	InH2O	dB-A
BA6015L12X		12	6~13.5	0.1	1.2	2500	0.063	2.24	3.31	0.13	24.4
BA6015M12X		12	6~13.5	0.14	1.68	3000	0.079	2.78	5.12	0.201	29.5
BA6015H12X		12	6~13.5	0.22	2.64	3500	0.09	3.16	7.13	0.28	33.6
BA6015HH12X		12	6~13.5	0.30	3.6	4000	0.104	3.67	9.72	0.383	36.9
BA6015VH12X		12	6~13.5	0.35	4.2	4500	0.117	4.13	12.7	0.5	40.5
BA6015HV12X		12	6~13.5	0.4	4.8	5000	0.128	4.54	16.62	0.654	43.5
BA6015L24X		24	18~26.5	0.05	1.2	2500	0.063	2.24	3.31	0.13	24.4
BA6015M24X		24	18~26.5	0.07	1.68	3000	0.079	2.78	5.12	0.201	29.5
BA6015H24X		24	18~26.5	0.11	2.64	3500	0.09	3.16	7.13	0.28	33.6
BA6015HH24X		24	18~26.5	0.15	3.6	4000	0.104	3.67	9.72	0.383	36.9
BA6015VH24X		24	18~26.5	0.16	3.84	4500	0.117	4.13	12.7	0.5	40.5
BA6015HV24X		24	18~26.5	0.18	4.32	5000	0.128	4.54	16.62	0.654	43.5